



# Bell Hydromatics

## Fixed Displacement Vane Pumps

### Single Pumps

#### IVP(Q)43



#### IVP(Q)43 DoublePumps Max. Continuous Pressures

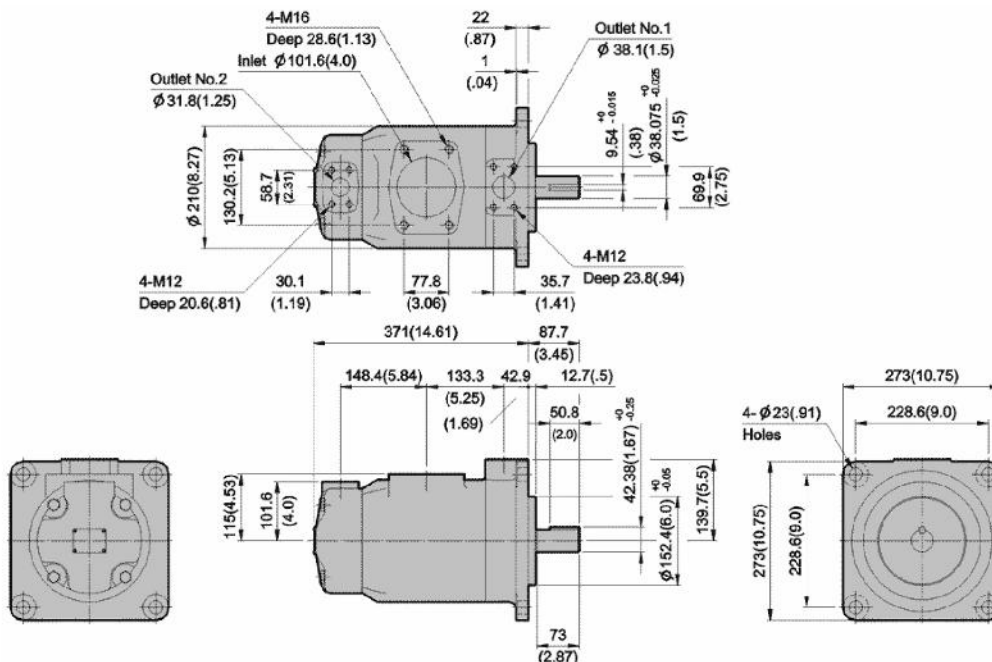
Model	Shaft end Pump (No.1 Outlet)			Cover end Pump (No.2 Outlet)			Max. Speed rpm	Min. Speed rpm
	◆Code	Geometric Displacement cm <sup>3</sup> /r	Max. Pressure bar	◆Code	Geometric Displacement cm <sup>3</sup> /r	Max. Pressure bar		
IVP(Q)43	30	96.0	♣172 F3 = 69 F11 = 157	17	53.3	♣172 F3 = 69 F11 = 157	1800	600
	35	109		21	66.7			
	38	128		25	79.2			
	42	134		30	95.0			
	50	156		32	100			
	60	189		35	109			
	67	210		38	118			
	72	236		42	134			

◆ Rated capacity in USgpm at 1200 rpm and 6.9 bar.

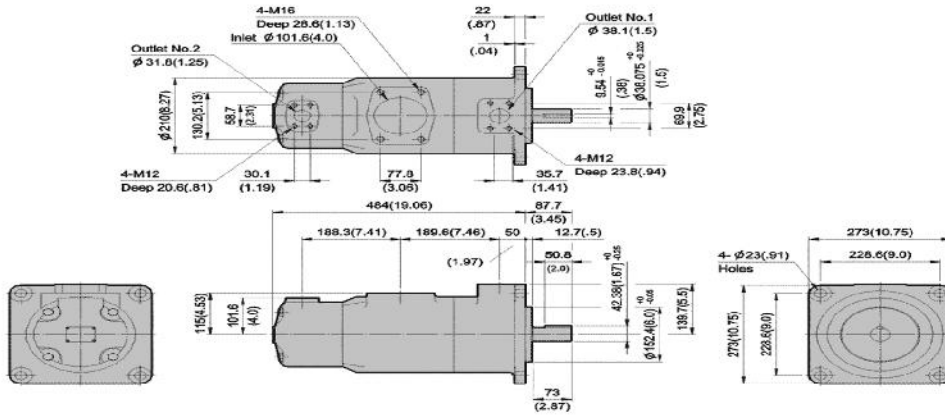
♣ Transient (peak) pressure 10% over the max. continuous pressure rating for 0.5 seconds or less duration is allowed.

#### Dimensions

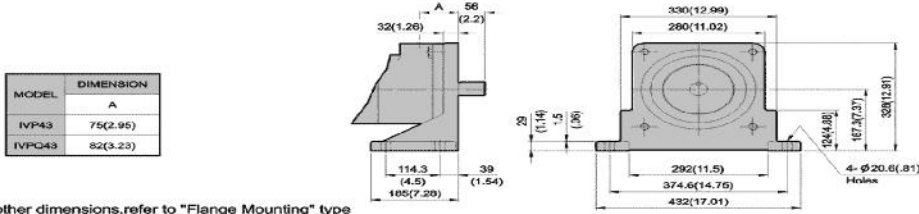
##### IVP43 Double Pumps: Flange Mounting



**IVPQ43 Double Pumps: Flange Mounting**

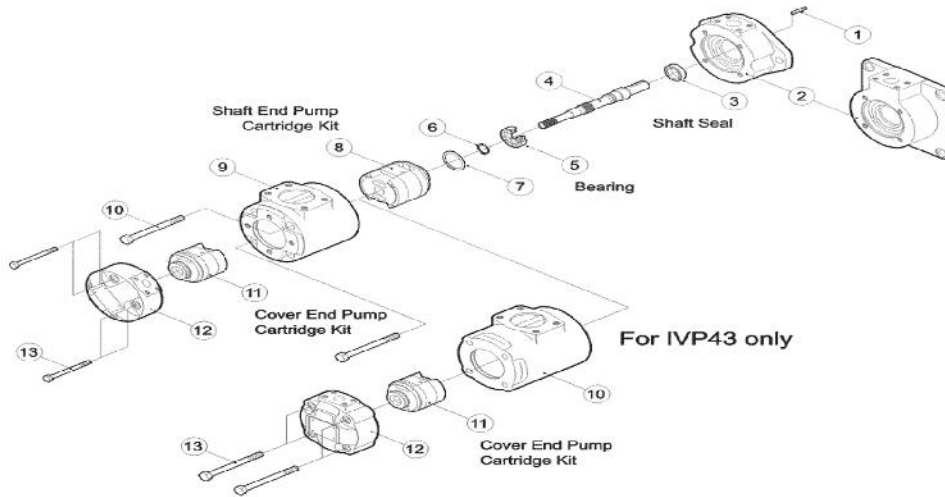


**IVP(Q)43 Double Pumps: Foot Mounting**



**Assembly**

**IVP43 Double Pumps – Assembly**



**IVPQ43 Double Pumps – Assembly**

